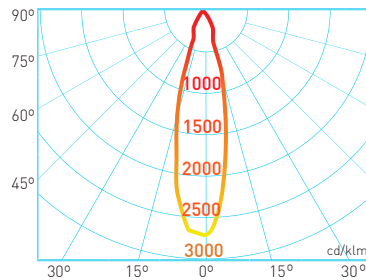
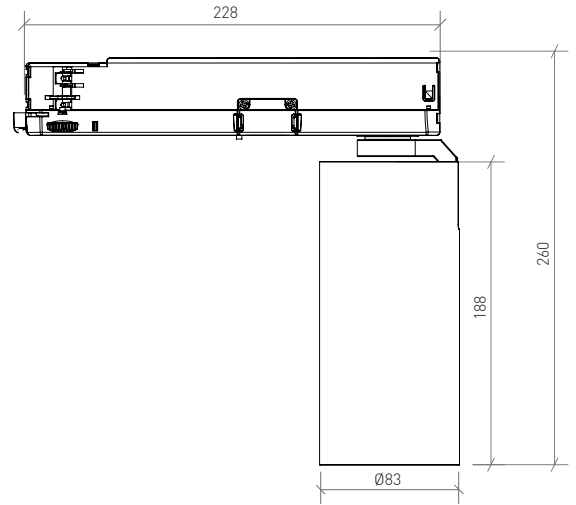


BRILUMEN DATA SHEET

SPAR EFFICIENCY



Distance	Beam Diameter	Footcandle (lx)
1m	Ø44cm	13.728 lx
2m	Ø87cm	3.432 lx
3m	Ø130cm	1.526 lx
4m	Ø173cm	858 lx
5m	Ø216cm	549 lx
6m	Ø260cm	380 lx

ORDER OPTIONS

OPÇÕES DE ENCOMENDA

PRODUCT CODE	POWER	CRI	BEAM ANGLE	CCT	LED LUMENS	LUMINAIRE LUMENS	LED EFFICACY
445.80.24.CT.FI	25W	>80	24°	2700K 3000K 4000K	4.002lm	3.688lm	160lm/W
445.80.38.CT.FI		>80	38°		4.002lm	3.872lm	160lm/W
445.90.24.CT.FI		>90	24°		3.486lm	3.212lm	139lm/W
445.90.38.CT.FI		>90	38°		3.486lm	3.373lm	139lm/W
446.80.24.CT.FI	32W	>80	24°	2700K 3000K 4000K	4.776lm	4.401lm	149lm/W
446.80.38.CT.FI		>80	38°		4.776lm	4.621lm	149lm/W
446.90.24.CT.FI		>90	24°		4.160lm	3.833lm	130lm/W
446.90.38.CT.FI		>90	38°		4.160lm	4.025lm	130lm/W

.CT

COLOUR TEMPERATURE OPTIONS
OPÇÕES DE TEMPERATURA DA COR

Please change .CT by one of the following options.
Por favor altere .CT por uma das seguintes opções.

1° suffix: .27 2700K .30 3000K .40 4000K

.FI

FINISHING OPTIONS
OPÇÕES DE ACABAMENTO

Please change .FI by one of the following options.
Por favor altere .FI por uma das seguintes opções.

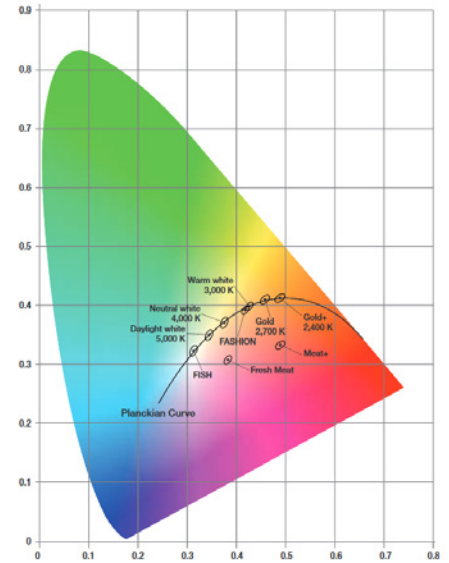
2° suffix: TW Textured White
Branco texturado TB Textured Black
Preto texturado

BRILUMEN DATA SHEET

SPAR FASHION & ART SPAR GOLD & GOLD+ SPAR FRESH MEAT & MEAT+ SPAR FISH

ORDER OPTIONS OPÇÕES DE ENCOMENDA

PRODUCT CODE	APPLICATION	CRI	POWER	BEAM ANGLE	CCT	LED LUMENS	LUMINAIRE LUMENS	
445.90.24.24G.FI	GOLD +		25W	24°	2400K	2.080 lm	1.917 lm	
445.90.24.27M.FI	MEAT +				2400K RED	2.020 lm	1.861 lm	
445.90.24.27G.FI	GOLD	> 90			2700K	2.960 lm	2.728 lm	
445.90.24.40FM.FI	FRESH MEAT				4000K RED	1.900 lm	1.751 lm	
445.90.24.65F.FI	FISH				6500K BLUE	3.290 lm	3.032 lm	
445.95.24.32.FI	FASHION	> 95			3250K	2.960 lm	2.728 lm	
445.98.24.30.FI	ART	> 98		3000K	2.830 lm	2.608 lm		
445.90.38.24G.FI	GOLD +			32W	38°	2400K	2.080 lm	2.013 lm
445.90.38.27M.FI	MEAT +					2400K RED	2.020 lm	1.955 lm
445.90.38.27G.FI	GOLD	> 90				2700K	2.960 lm	2.864 lm
445.90.38.40FM.FI	FRESH MEAT					4000K RED	1.900 lm	1.838 lm
445.90.38.65F.FI	FISH					6500K BLUE	3.290 lm	3.183 lm
445.95.38.32.FI	FASHION	> 95	3250K			2.960 lm	2.864 lm	
445.98.38.30.FI	ART	> 98	3000K	2.830 lm	2.738 lm			
446.90.24.24G.FI	GOLD +		32W	24°	2400K	2.481 lm	2.286 lm	
446.90.24.27M.FI	MEAT +				2400K RED	2.409 lm	2.220 lm	
446.90.24.27G.FI	GOLD	> 90			2700K	3.530 lm	3.253 lm	
446.90.24.40FM.FI	FRESH MEAT				4000K RED	2.266 lm	2.088 lm	
446.90.24.65F.FI	FISH				6500K BLUE	3.924 lm	3.616 lm	
446.95.24.32.FI	FASHION	> 95			3250K	3.531 lm	3.254 lm	
446.98.24.30.FI	ART	> 98		3000K	3.375 lm	3.110 lm		
446.90.38.24G.FI	GOLD +			32W	38°	2400K	2.481 lm	2.400 lm
446.90.38.27M.FI	MEAT +					2400K RED	2.409 lm	2.331 lm
446.90.38.27G.FI	GOLD	> 90				2700K	3.530 lm	3.416 lm
446.90.38.40FM.FI	FRESH MEAT					4000K RED	2.266 lm	2.192 lm
446.90.38.65F.FI	FISH					6500K BLUE	3.924 lm	3.796 lm
446.95.38.32.FI	FASHION	> 95	3250K			3.531 lm	3.417 lm	
446.98.38.30.FI	ART	> 98	3000K	3.375 lm	3.266 lm			



.FI

FINISHING OPTIONS

OPÇÕES DE ACABAMENTO

Please change .FI by one of the following options.
Por favor altere .FI por uma das seguintes opções.

Suffix: **TW** Textured White
Branco texturado

TB Textured Black
Preto texturado