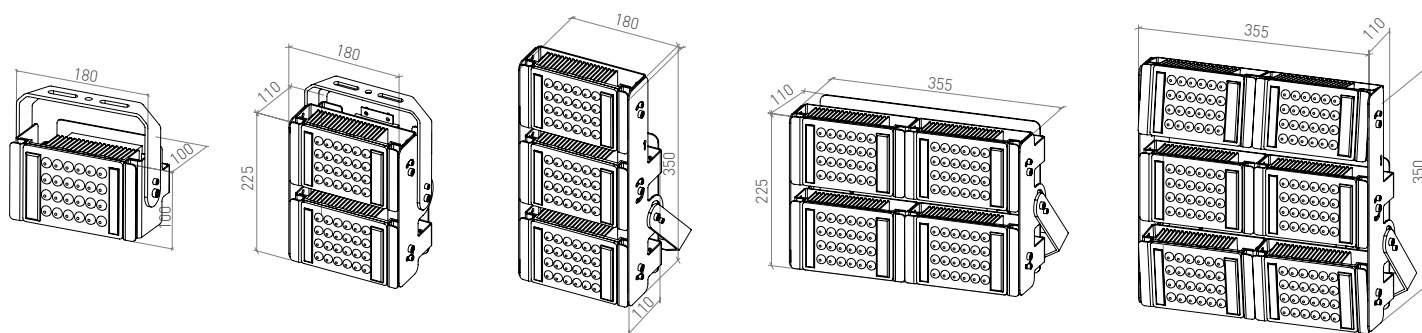
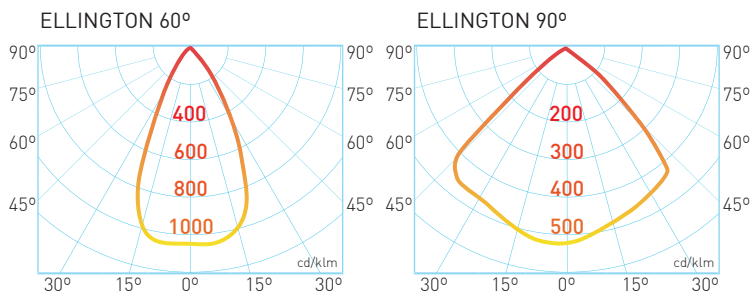


## BRILUMEN DATA SHEET



### ORDER OPTIONS OPÇÕES DE ENCOMENDA

**DI** ON REQUEST: Dimmable options  
SOB PEDIDO: Opções dimáveis  
0-10V



ORDER CODE	POWER	CRI	BEAM ANGLE	CCT	LED LUMENS	LUMINAIRE LUMENS
4011-396.60.CT	50W	>80	60°	4200K 6500K	6600lm	6270lm
4011-396.90.CT	50W	>80	90°		6600lm	6270lm
4011-397.60.CT	100W	>80	60°		13.200lm	12.540lm
4011-397.90.CT	100W	>80	90°		13.200lm	12.540lm
4011-398.60.CT	150W	>80	60°		19.800lm	18.810lm
4011-398.90.CT	150W	>80	90°		19.800lm	18.810lm
4011-399.60.CT	200W	>80	60°		26.400lm	25.080lm
4011-399.90.CT	200W	>80	90°		26.400lm	25.080lm
4011-400.60.CT	300W	>80	60°		39.600lm	37.620lm
4011-400.90.CT	300W	>80	90°		39.600lm	37.620lm

#### ELLINGTON\_50W\_60°\_6500K

1m	Ø0,96m	6.984 lx
2m	Ø1,93m	1.746 lx
3m	Ø2,90m	776 lx
4m	Ø3,85m	436 lx
5m	Ø4,82m	279 lx
6m	Ø5,78m	194 lx

#### ELLINGTON\_50W\_90°\_6500K

1m	Ø2,05m	3.475 lx
2m	Ø4,15m	869 lx
3m	Ø6,20m	386 lx
4m	Ø8,20m	217 lx
5m	Ø10,30m	139 lx
6m	Ø12,35m	96,4 lx

#### ELLINGTON\_300W\_60°\_6500K

1m	Ø0,96m	41.902 lx
2m	Ø1,93m	10.476 lx
3m	Ø2,90m	4.656 lx
4m	Ø3,85m	2.619 lx
5m	Ø4,82m	1.676 lx
6m	Ø5,78m	1.163 lx

#### ELLINGTON\_300W\_90°\_6500K

1m	Ø2,05m	20.849 lx
2m	Ø4,15m	5.212 lx
3m	Ø6,20m	2.317 lx
4m	Ø8,20m	1.303 lx
5m	Ø10,30m	834 lx
6m	Ø12,35m	579 lx

### .CT

COLOUR TEMPERATURE OPTIONS  
OPÇÕES DE TEMPERATURA DA COR

Please change .CT by one of the following options.  
Por favor altere .CT por uma das seguintes opções.

**.42** 4200K    **.65** 6500K