

DESCRIPTION

STEN & ASTRID — Solid geometry, light with character

The STEN and ASTRID models combine robust design with impactful bidirectional lighting. The STEN, with its almost cubic shape, is ideal for wall applications where a bold, structured presence is desired. The ASTRID, featuring rectangular lines, delivers sophisticated light effects on façades and walls. Available in black and grey, they are perfect for demanding outdoor environments. With IP65 protection, Marine Coating treatment and a 5-year warranty, they offer the perfect blend of style and durability.

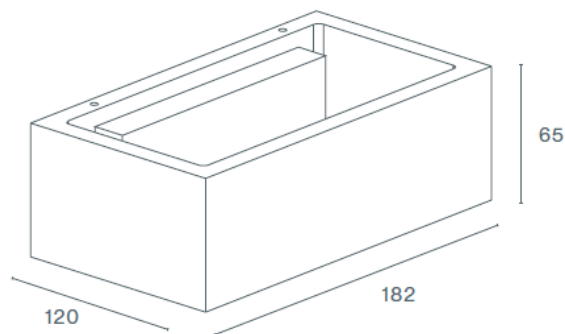
MOUNTING	Surface
LIGHT DISTRIBUTION	Directa e Indirecta
POWER SUPPLY	230V / 50 / 60 Hz
WARRANTY	5 Years
FINISHING	Textured Anthracite, Textured Black
CONTROL	ON/OFF



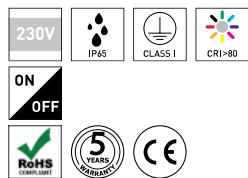
LED FEATURES

LUMINOUS EFFICIENCY	UP TO 120 lm/W
CRI	CRI→80
LIFESPAN	50.000 Hours
STEPS MACADAM	3 Steps MacAdam
LUMEN MAINTENANCE	L90/B50
PHOTOBIOLOGICAL RISK	RG0

TECHNICAL DRAWING



ICONOGRAPHY



 ASTRID 10W  
PRODUCT TABLE AND TECHNICAL SPECIFICATIONS - CRI→80

LENGTH	POWER	FINISHING	CONTROLTYPE	BEAM ANGLE	LED LUMENS	LUMINAIRE LM	COLOR TEMP.	CODE
182	10	TA, TB	NF	2X145°	1200	480	3000K	525XX.830.FI

SELECT YOUR PREFERRED  
OPTION

CONTROLTYPE	XX	FINISHING	FI
ON/OFF	NF	Textured Anthracite	TA
		Textured Black	TB