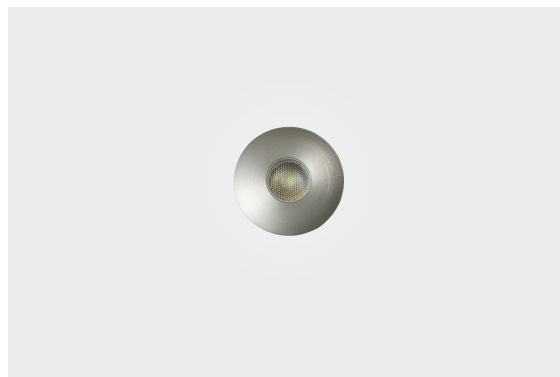


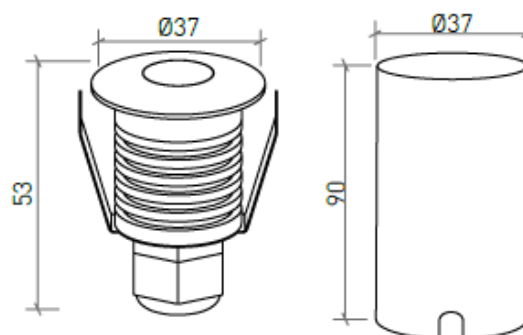
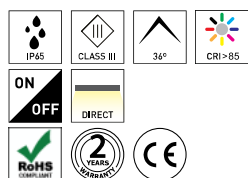
**DESCRIPTION**

The Outdoor Lighting range developed by Brilumen is essentially based on differentiated, high-quality products with high IP ratings, and the floor lighting is no exception. To perfectly conclude the outdoor lighting of your balcony or garden, the inground and decks light choice – Lunen, Orion & Bennet – with IP67, will bring harmony to these places. NOTE: Orion and Bennett have 3 Volts, requiring an external drive to connect the luminaires to 230 Volts, as well as a waterproof box to preserve the products' IP rating.

<b>MOUNTING TYPE</b>	Recessed
<b>LIGHT DISTRIBUTION</b>	Direct
<b>POWER SUPPLY</b>	230 VAC / 50/60 Hz
<b>WARRANTY</b>	2 Years
<b>FINISHING</b>	Brushed steel
<b>CONTROL</b>	ON/OFF


**LED FEATURES**

<b>LUMINOUS EFFICIENCY</b>	UP TO 87 lm/W
<b>CRI</b>	CRI>85
<b>LIFESPAN</b>	50.000 Hours
<b>STEPS MACADAM</b>	4 Steps MacAdam

**TECHNICAL DRAWING**

**ICONOGRAPHY**

**ORION ROUND 2W**  
**PRODUCT TABLE AND TECHNICAL SPECIFICATIONS - CRI>85**

LENGTH	POWER	FINISHING	CONTROL TYPE	BEAM ANGLE	LED LUMENS	LUMINAIRE LM	COLOR TEMP.	CODE
37	2	BS	NF	36	180	158	3000K	603.85.BA.30.FI
37	2	BS	NF	36	198	174	4000K	603.85.BA.40.FI

**SELECT YOUR PREFERRED OPTION**

CONTROL TYPE	XX	FINISHING	FI	BEAM ANGLE	BA
ON/OFF	NF	Brushed steel	BS	36°	36

**ACCESSORIES**

	Waterproof box Waterproof box	-	4080-1030
	Output cable gland Output cable gland	-	4080-1031
	Cover for waterproof box Cover for waterproof box	-	4080-1033
	Driver 700mA - 1 un Driver 700mA - 1 un	-	8015-0227
	Driver 700mA - 2 a 5 un Driver 700mA - 2 a 5 un	-	8015-0228

