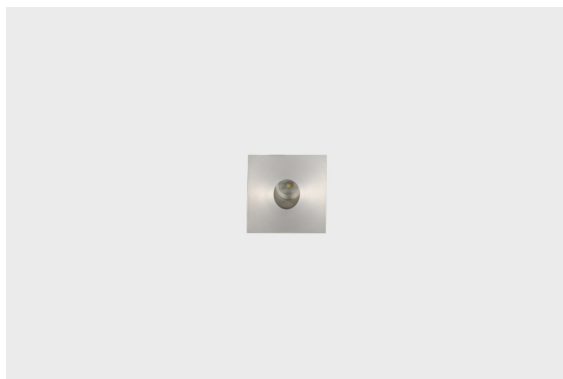


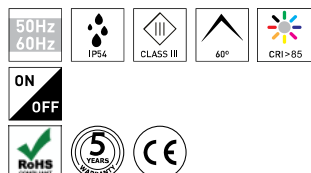
DESCRIPTION

The Wall Recessed range (Eliot & Frost) consists on a set of luminaires suitable for halls, stairs or other lighting purposes near to the mopboard. These products, which may have 1W (Eliot) or 4W (Frost), have a high IP rating and asymmetric beam angles, technical features needed in this type of light fitting. With a brushed aluminium, or white textured finish, and a CRI higher than 85, this product range (Eliot & Frost) is available on ON-OFF or dimmable 0-10V mode and is compatible with the DALI system as an option. NOTE: This product range has 3 Volts, requiring an external drive to connect the luminaires to 230 Volts, as well as a waterproof box to preserve the products IP.

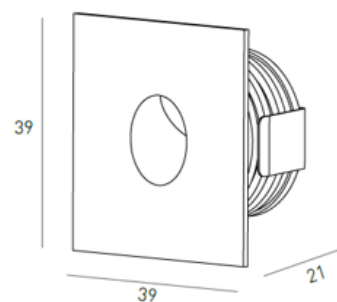
POWER SUPPLY 3VDC / 50-60 Hz



ICONOGRAPHY



TECHNICAL DRAWING



**ELIOT 1W
 PRODUCT TABLE AND TECHNICAL SPECIFICATIONS - CRI→85**

LENGTH	POWER	FINISHING	CONTROLTYPE	BEAM ANGLE	LED LUMENS	LUMINAIRE LM	COLOR TEMP.	CODE
39	1	BAL	NF	60	120	50	3000K	344.85.BA.30.FI

SELECT YOUR PREFERRED OPTION

CONTROLTYPE	XX	FINISHING	FI	BEAM ANGLE	BA
ON/OFF	NF	Brushed Aluminum	BAL	60°	60

ACCESSORIES

	Waterproof box Waterproof box	-	4080-1030
	Output cable gland Output cable gland	-	4080-1031
	Cover for waterproof box Cover for waterproof box	-	4080-1033
	Driver (3-5 luminaires) Driver (3-5 luminaires)	-	8015-0224
	Driver (1-3 luminaires)	-	



Driver (1-3 luminaires)

8015-0226