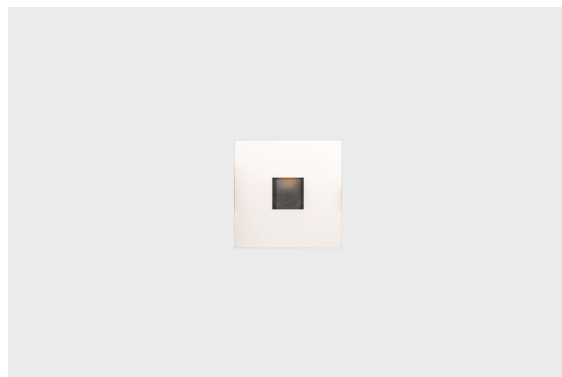
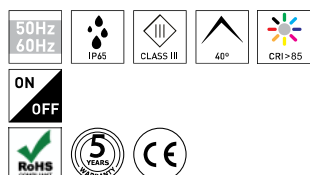
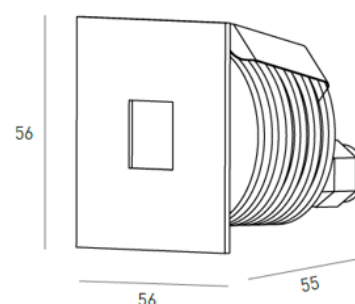


DESCRIPTION

The Wall Recessed range consists on a set of luminaires (Eliot & Frost) suitable for halls, stairs or other lighting purposes near to the mopbard. These products, which may have 1W (Eliot) or 4W (Frost), have a high IP rating and asymmetric beam angles, technical features needed in this type of light fitting. With a brushed aluminium, or white textured finish, and a CRI higher than 85, this product range (Eliot & Frost) is available on ON-OFF or dimmable 0-10V mode and is compatible with the DALI system as an option. NOTE: This product range has 3 Volts, requiring an external drive to connect the luminaires to 230 Volts, as well as a waterproof box to preserve the products IP.

POWER SUPPLY 12VDC / 50-60 Hz


ICONOGRAPHY

TECHNICAL DRAWING

FROST 4W
PRODUCT TABLE AND TECHNICAL SPECIFICATIONS - CRI→85

LENGTH	POWER	FINISHING	CONTROLTYPE	BEAM ANGLE	LED LUMENS	LUMINAIRE LM	COLOR TEMP.	CODE
56	4	TW	NF	45	315	240	3000K	346.85.BA.30.FI

SELECT YOUR PREFERRED OPTION

CONTROLTYPE	XX	FINISHING	FI	BEAM ANGLE	BA
ON/OFF	NF	Textured White	TW	45°	45

ACCESSORIES

	Waterproof box Waterproof box	-	4080-1030
	Output cable gland Output cable gland	-	4080-1031
	Cover for waterproof box Cover for waterproof box	-	4080-1033
	Driver (3-5 luminaires) Driver (3-5 luminaires)	-	8015-0224