

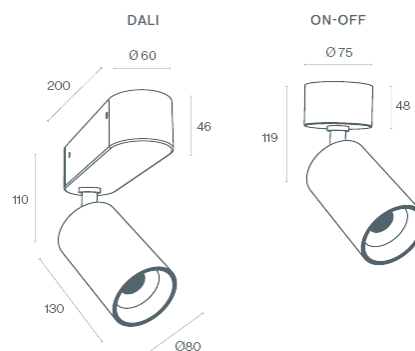
DESCRIPTION

The HERON projector stands out for its elegant design and next-generation LED technology. It delivers outstanding lighting performance in a compact and refined form.

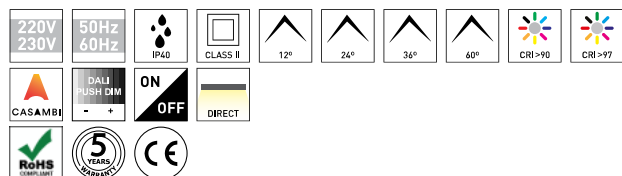
It is available with an adapter for 3-circuit universal tracks (230V) or low-voltage tracks (48V), in surface-mounted or recessed ceiling versions.

With textured white or black finishes and the option of a gold ring, the HERON is an irresistible choice for projects that call for glamour and sophistication.

MOUNTING	Surface
LIGHT DISTRIBUTION	Direct
POWER SUPPLY	220-230V / 50-60 Hz
WARRANTY	5 Years
FINISHING	Textured Black, Textured Black and Gold, Textured White, Textured White and Gold
CONTROL	CASAMBI, DALI / PUSH Dim, ON/OFF


TECHNICAL DRAWING

LED FEATURES

LUMINOUS EFFICIENCY	UP TO 98 lm/W
CRI	CRI→90, CRI→97
LIFESPAN	50.000 Hours
STEPS MACADAM	3 Steps MacAdam
LUMEN MAINTENANCE	L90/B50
PHOTOBIOLOGICAL RISK	RG1

ICONOGRAPHY

HERON SPOTLIGHT SURFACE
PRODUCT TABLE AND TECHNICAL SPECIFICATIONS - CRI→90

LENGTH	POWER	FINISHING	CONTROLTYPE	BEAM ANGLE	LED LUMENS	LUMINAIRE LM	COLOR TEMP.	CODE
130	24,5	TB, TBG, TW, TWG	CS, DA, NF	12, 24, 36, 60	3136	2666	2700K	5454XX.12.927.FI
130	24,5	TB, TBG, TW, TWG	CS, DA, NF	12, 24, 36, 60	3136	2666	2700K	5454XX.24.927.FI
130	24,5	TB, TBG, TW, TWG	CS, DA, NF	12, 24, 36, 60	3136	2666	2700K	5454XX.36.927.FI
130	24,5	TB, TBG, TW, TWG	CS, DA, NF	12, 24, 36, 60	3136	2666	2700K	5454XX.60.927.FI
130	24,5	TB, TBG, TW, TWG	CS, DA, NF	12, 24, 36, 60	3234	2749	3000K	5454XX.12.930.FI
130	24,5	TB, TBG, TW, TWG	CS, DA, NF	12, 24, 36, 60	3234	2749	3000K	5454XX.24.930.FI
130	24,5	TB, TBG, TW, TWG	CS, DA, NF	12, 24, 36, 60	3234	2749	3000K	5454XX.36.930.FI
130	24,5	TB, TBG, TW, TWG	CS, DA, NF	12, 24, 36, 60	3234	2749	3000K	5454XX.60.930.FI
130	24,5	TB, TBG, TW, TWG	CS, DA, NF	12, 24, 36, 60	3479	2957	4000K	5454XX.12.940.FI
130	24,5	TB, TBG, TW, TWG	CS, DA, NF	12, 24, 36, 60	3479	2957	4000K	5454XX.24.940.FI
130	24,5	TB, TBG, TW, TWG	CS, DA, NF	12, 24, 36, 60	3479	2957	4000K	5454XX.36.940.FI
130	24,5	TB, TBG, TW, TWG	CS, DA, NF	12, 24, 36, 60	3479	2957	4000K	5454XX.60.940.FI

 SELECT YOUR PREFERRED
 OPTION

CONTROLTYPE	XX	FINISHING	FI	BEAM ANGLE	BA
CASAMBI	CS	Textured Black	TB	12°	12
DALI / PUSH Dim	DA	Textured Black and Gold	TBG	24°	24
ON/OFF	NF	Textured White	TW	36°	36
		Textured White and Gold	TWG	60°	60


HERON SPOTLIGHT SURFACE
PRODUCT TABLE AND TECHNICAL SPECIFICATIONS - CRI->97

LENGTH	POWER	FINISHING	CONTROLTYPE	BEAM ANGLE	LED LUMENS	LUMINAIRE LM	COLOR TEMP.	CODE
130	25,6	TB, TBG, TW, TWG	CS, DA, NF	12, 24, 36, 60	2511	2134	2700K	5456XX.12.9727.FI
130	25,6	TB, TBG, TW, TWG	CS, DA, NF	12, 24, 36, 60	2511	2134	2700K	5456XX.24.9727.FI
130	25,6	TB, TBG, TW, TWG	CS, DA, NF	12, 24, 36, 60	2511	2134	2700K	5456XX.36.9727.FI
130	25,6	TB, TBG, TW, TWG	CS, DA, NF	12, 24, 36, 60	2511	2134	2700K	5456XX.60.9727.FI
130	25,6	TB, TBG, TW, TWG	CS, DA, NF	12, 24, 36, 60	2664	2265	3000K	5456XX.12.9730.FI
130	25,6	TB, TBG, TW, TWG	CS, DA, NF	12, 24, 36, 60	2664	2265	3000K	5456XX.24.9730.FI
130	25,6	TB, TBG, TW, TWG	CS, DA, NF	12, 24, 36, 60	2664	2265	3000K	5456XX.36.9730.FI
130	25,6	TB, TBG, TW, TWG	CS, DA, NF	12, 24, 36, 60	2664	2265	3000K	5456XX.60.9730.FI
130	25,6	TB, TBG, TW, TWG	CS, DA, NF	12, 24, 36, 60	2818	2395	4000K	5456XX.12.9740.FI
130	25,6	TB, TBG, TW, TWG	CS, DA, NF	12, 24, 36, 60	2818	2395	4000K	5456XX.24.9740.FI
130	25,6	TB, TBG, TW, TWG	CS, DA, NF	12, 24, 36, 60	2818	2395	4000K	5456XX.36.9740.FI
130	25,6	TB, TBG, TW, TWG	CS, DA, NF	12, 24, 36, 60	2818	2395	4000K	5456XX.60.9740.FI

SELECT YOUR PREFERRED
OPTION

CONTROLTYPE	XX	FINISHING	FI	BEAM ANGLE	BA
CASAMBI	CS	Textured Black	TB	12°	12
DALI / PUSH Dim	DA	Textured Black and Gold	TBG	24°	24
ON/OFF	NF	Textured White	TW	36°	36
		Textured White and Gold	TWG	60°	60