

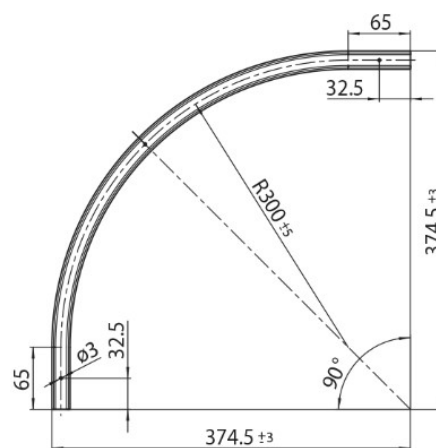
DESCRIPTION

Horizontal curve radius 0,3m for MT1 48V MICRO track

ICONOGRAPHY



TECHNICAL DRAWING



ACCESSORIES



Horizontal curve 0,3m MT1
 Horizontal curve 0,3m

White	Black
3080-0602.WH	3080-0602.BL