

DESCRIPTION

The Outdoor Lighting range developed by Brilumen is essentially based on differentiated, high-quality products with high IP ratings, and the floor lighting is no exception. To perfectly conclude the outdoor lighting of your balcony or garden, the inground and decks light choice - Lunen, Orion & Bennet - with IP65, will bring harmony to these places. NOTE: Orion and Bennett have 3 Volts, requiring an external drive to connect the luminaires to 230 Volts, as well as a waterproof box to preserve the products' IP rating.

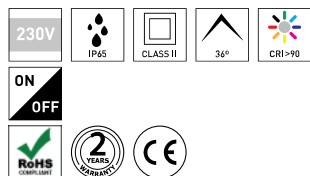
MOUNTING	Surface
LIGHT DISTRIBUTION	Directa
POWER SUPPLY	230V / 50/60 Hz
WARRANTY	2 Years
FINISHING	Brushed steel
CONTROL	ON/OFF



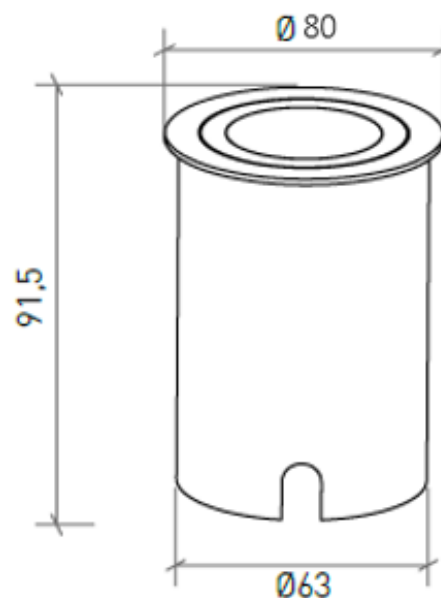
LED FEATURES

LUMINOUS EFFICIENCY	UP TO 149 lm/W
CRI	CRI->90
LIFESPAN	50.000 Hours
STEPS MACADAM	4 Steps MacAdam
LUMEN MAINTENANCE	L90/B50
PHOTOBIOLOGICAL RISK	RG0

ICONOGRAPHY



TECHNICAL DRAWING



LUNEN EVO 5,9W  
PRODUCT TABLE AND TECHNICAL SPECIFICATIONS - CRI->90

LENGTH	POWER	FINISHING	CONTROLTYPE	BEAM ANGLE	LED LUMENS	LUMINAIRE LM	COLOR TEMP.	CODE
	5,9	BS	NF	36	799	636	2700K	604XX.36.927.FI
	5,9	BS	NF	36	833	663	3000K	604XX.36.930.FI
	5,9	BS	NF	36	882	702	4000K	604XX.36.940.FI

SELECT YOUR PREFERRED OPTION

CONTROLTYPE	XX	FINISHING	FI	BEAM ANGLE	BA
ON/OFF	NF	Brushed steel	BS	36°	36