

DESCRIPTION

LP05 Anodised aluminium profile - 16,80mm x 12,41mm - for LED Strip up to 12mm

Brilumen's aluminium profiles are designed and produced from top quality raw materials on modern, fully automated, precision equipment to meet the strictest European quality criteria. These profiles combine the sophisticated functionality with timeless aesthetics and imbue every illuminated area with homogeneous light.

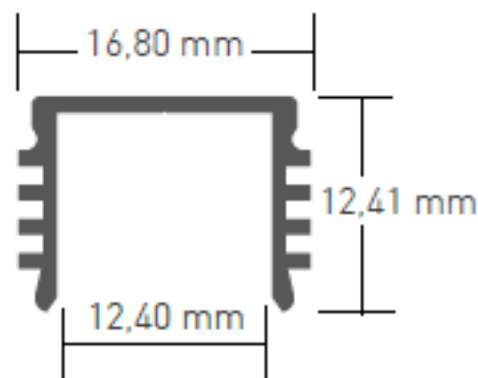
The individual system components are quickly and easily assembled with little effort using the click system and mounted in a right manner. The particular properties of these fracture-resistant profiles protect LED strips from mechanical impacts, dissipate heat, and integrate perfectly into any architectural feature. The nonflammable polycarbonate profile covers reduce light to control the unified glare rating (UGR).

Due to high product availability, these profiles can be supplied quickly, and distinguish themselves through their perfect light lines for homogeneous light quality, the guaranteed product quality at the best price-performance ratio and the intelligent product design and unique product compatibility, that allow an unlimited variety of designs.

These aluminium profiles can have customized sizes and are compatible with Brilumen's LED Strips.



TECHNICAL DRAWING



Accessories not included:

- C3: Frosted diffuser 2000mm | code G860-0005
- C4: Frosted diffuser 2000mm | code G860-0006
- E10: PVC end cap without hole | code G810-6050
- E11: PVC end cap with hole | code G810-6052
- E12: Aluminium end cap (with LP10) | code G810-6025
- LP10: construction profile | code G810-7012

ICONOGRAPHY



LP05 ALUMINIUM PROFILE

PRODUCT TABLE AND TECHNICAL SPECIFICATIONS - LP05 Anodised aluminium profile - 16,80mm x 12,41mm - for LED Strip up to 12mm

ACCESSORIES

	E12 - Aluminium End Cap E12 - Aluminium End Cap	-	G810-6025
	E10 - PVC End Cap E10 - PVC End Cap	-	G810-6050
	E11 - PVC End Cap E11 - PVC End Cap	-	G810-6052
	LP10 aluminium profile LP10 aluminium profile	SEM TITULO -	G810-7012
	C3 - Diffuser C3 - Diffuser	2 Meters	G860-0005
	C4 - Diffuser	2 Meters	



C4 - Diffuser

G860-0006