

DESCRIPTION

The MARS luminaire was designed to meet the demands of functional environments, combining a robust and efficient design with a technical and industrial character. Equipped with optimized technical lens modules, it allows single or double row configurations and is available with various beam angles, including asymmetric versions. Compatible with 3-circuit universal tracks (230V), it is ideal for supermarkets, retail stores, technical areas, storage zones, and industrial spaces, where luminous efficiency, uniformity, reliability, and low maintenance are essential.

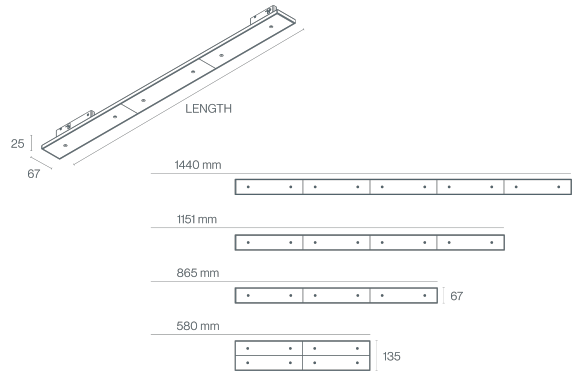
MOUNTING TYPE	CALHAS
LIGHT DISTRIBUTION	Direct
POWER SUPPLY	220-230V / 50-60 Hz
WARRANTY	5 Years
FINISHING	Textured Black, Textured White
CONTROL	DALI / Switch Dim, CASAMBI, ON/OFF



LED FEATURES

LUMINOUS EFFICIENCY	UP TO 202 lm/W
CRI	CRI→90
LIFESPAN	50.000 Hours
STEPS MACADAM	3 Steps MacAdam
LUMEN MAINTENANCE	L90/B50
PHOTOBIOLOGICAL RISK	RG1

TECHNICAL DRAWING



ICONOGRAPHY


MARS 230V CRI→90
PRODUCT TABLE AND TECHNICAL SPECIFICATIONS - CRI→90

LENGTH	POWER	FINISHING	CONTROL TYPE	BEAM ANGLE	LED LUMENS	LUMINAIRE LM	COLOR TEMP.	CODE
580	24	TB, TW	CS, DA, NF	30, 60, 90, AS, DAS	4015	3815	3000K	151XX.0530.9BA.FI
580	24	TB, TW	CS, DA, NF	30, 60, 90, AS, DAS	4015	3815	3000K	151XX.0560.930.FI
580	24	TB, TW	CS, DA, NF	30, 60, 90, AS, DAS	4015	3815	3000K	151XX.0590.930.FI
580	24	TB, TW	CS, DA, NF	30, 60, 90, AS, DAS	4015	3815	3000K	151XX.05AS.930.FI
580	24	TB, TW	CS, DA, NF	30, 60, 90, AS, DAS	4015	3815	3000K	151XX.05DAS.930.FI
580	24	TB, TW	CS, DA, NF	30, 60, 90, AS, DAS	4015	3815	3000K	151XX.05XXS.930.FI
580	24	TB, TW	CS, DA, NF	30, 60, 90, AS, DAS	4253	4040	4000K	151XX.0530.940.FI
580	24	TB, TW	CS, DA, NF	30, 60, 90, AS, DAS	4253	4040	4000K	151XX.0560.940.FI
580	24	TB, TW	CS, DA, NF	30, 60, 90, AS, DAS	4253	4040	4000K	151XX.0590.940.FI
580	24	TB, TW	CS, DA, NF	30, 60, 90, AS, DAS	4253	4040	4000K	151XX.05AS.940.FI
580	24	TB, TW	CS, DA, NF	30, 60, 90, AS, DAS	4253	4040	4000K	151XX.05DAS.940.FI
580	24	TB, TW	CS, DA, NF	30, 60, 90, AS, DAS	4253	4040	4000K	151XX.05XXS.940.FI
865	18	TB, TW	CS, DA, NF	30, 60, 90, AS, DAS	3012	2861	3000K	151XX.0830.9BA.FI
865	18	TB, TW	CS, DA, NF	30, 60, 90, AS, DAS	3012	2861	3000K	151XX.0860.930.FI
865	18	TB, TW	CS, DA, NF	30, 60, 90, AS, DAS	3012	2861	3000K	151XX.0890.930.FI
865	18	TB, TW	CS, DA, NF	30, 60, 90, AS, DAS	3012	2861	3000K	151XX.08AS.930.FI
865	18	TB, TW	CS, DA, NF	30, 60, 90, AS, DAS	3012	2861	3000K	151XX.08DAS.930.FI
865	18	TB, TW	CS, DA, NF	30, 60, 90, AS, DAS	3012	2861	3000K	151XX.08XXS.930.FI
865	18	TB, TW	CS, DA, NF	30, 60, 90, AS, DAS	3190	3030	4000K	151XX.0830.940.FI
865	18	TB, TW	CS, DA, NF	30, 60, 90, AS, DAS	3190	3030	4000K	151XX.0860.940.FI
865	18	TB, TW	CS, DA, NF	30, 60, 90, AS, DAS	3190	3030	4000K	151XX.0890.940.FI
865	18	TB, TW	CS, DA, NF	30, 60, 90, AS, DAS	3190	3030	4000K	151XX.08AS.940.FI
865	18	TB, TW	CS, DA, NF	30, 60, 90, AS, DAS	3190	3030	4000K	151XX.08DAS.940.FI
865	18	TB, TW	CS, DA, NF	30, 60, 90, AS, DAS	3190	3030	4000K	151XX.08XXS.940.FI
1151	24	TB, TW	CS, DA, NF	30, 60, 90, AS, DAS	4015	3815	3000K	151XX.1130.9BA.FI
1151	24	TB, TW	CS, DA, NF	30, 60, 90, AS, DAS	4015	3815	3000K	151XX.1160.930.FI
1151	24	TB, TW	CS, DA, NF	30, 60, 90, AS, DAS	4015	3815	3000K	151XX.1190.930.FI
1151	24	TB, TW	CS, DA, NF	30, 60, 90, AS, DAS	4015	3815	3000K	151XX.11AS.930.FI
1151	24	TB, TW	CS, DA, NF	30, 60, 90, AS, DAS	4015	3815	3000K	151XX.11DAS.930.FI
1151	24	TB, TW	CS, DA, NF	30, 60, 90, AS, DAS	4015	3815	3000K	151XX.11XXS.930.FI
1151	24	TB, TW	CS, DA, NF	30, 60, 90, AS, DAS	4253	4040	4000K	151XX.1130.940.FI
1151	24	TB, TW	CS, DA, NF	30, 60, 90, AS, DAS	4253	4040	4000K	151XX.1160.940.FI
1151	24	TB, TW	CS, DA, NF	30, 60, 90, AS, DAS	4253	4040	4000K	151XX.1190.940.FI
1151	24	TB, TW	CS, DA, NF	30, 60, 90, AS, DAS	4253	4040	4000K	151XX.11AS.940.FI
1151	24	TB, TW	CS, DA, NF	30, 60, 90, AS, DAS	4253	4040	4000K	151XX.11DAS.940.FI
1151	24	TB, TW	CS, DA, NF	30, 60, 90, AS, DAS	4253	4040	4000K	151XX.11XXS.940.FI
1440	30	TB, TW	CS, DA, NF	30, 60, 90, AS, DAS	5019	4768	3000K	151XX.1430.9BA.FI
1440	30	TB, TW	CS, DA, NF	30, 60, 90, AS, DAS	5019	4768	3000K	151XX.1460.930.FI
1440	30	TB, TW	CS, DA, NF	30, 60, 90, AS, DAS	5019	4768	3000K	151XX.1490.930.FI
1440	30	TB, TW	CS, DA, NF	30, 60, 90, AS, DAS	5019	4768	3000K	151XX.14AS.930.FI
1440	30	TB, TW	CS, DA, NF	30, 60, 90, AS, DAS	5019	4768	3000K	151XX.14DAS.930.FI
1440	30	TB, TW	CS, DA, NF	30, 60, 90, AS, DAS	5019	4768	3000K	151XX.14XXS.930.FI
1440	30	TB, TW	CS, DA, NF	30, 60, 90, AS, DAS	5316	5050	4000K	151XX.1430.940.FI
1440	30	TB, TW	CS, DA, NF	30, 60, 90, AS, DAS	5316	5050	4000K	151XX.1460.940.FI
1440	30	TB, TW	CS, DA, NF	30, 60, 90, AS, DAS	5316	5050	4000K	151XX.1490.940.FI
1440	30	TB, TW	CS, DA, NF	30, 60, 90, AS, DAS	5316	5050	4000K	151XX.14AS.940.FI
1440	30	TB, TW	CS, DA, NF	30, 60, 90, AS, DAS	5316	5050	4000K	151XX.14DAS.940.FI
1440	30	TB, TW	CS, DA, NF	30, 60, 90, AS, DAS	5316	5050	4000K	151XX.14XXS.940.FI

SELECT YOUR PREFERRED
OPTION

CONTROL TYPE	XX
CASAMBI	CS
DALI / Switch Dim	DA
ON/OFF	NF

FINISHING	FI
Textured Black	TB
Textured White	TW

BEAM ANGLE	BA
30°	30
60°	60
90°	90
Asymmetrical	AS
Double asymmetrical	DAS