

DESCRIPTION

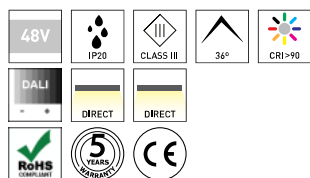
NAM – Lighting with identity and lightness The NAM luminaire, with a contemporary design and extremely compact dimensions, features a delicate conical shape, offering a discreet yet visually striking lighting solution. Compatible with 48V MICRO and EVO lowvoltage track systems, NAM can also be installed independently as a suspended fixture, with either a recessed or surfacemounted ceiling box. An ideal proposal for projects that value detail, formal lightness, and installation flexibility.

LIGHT DISTRIBUTION	Direct
POWER SUPPLY	48V / TRACK
WARRANTY	5 Years
FINISHING	Textured Black, Textured White
CONTROL	DALI

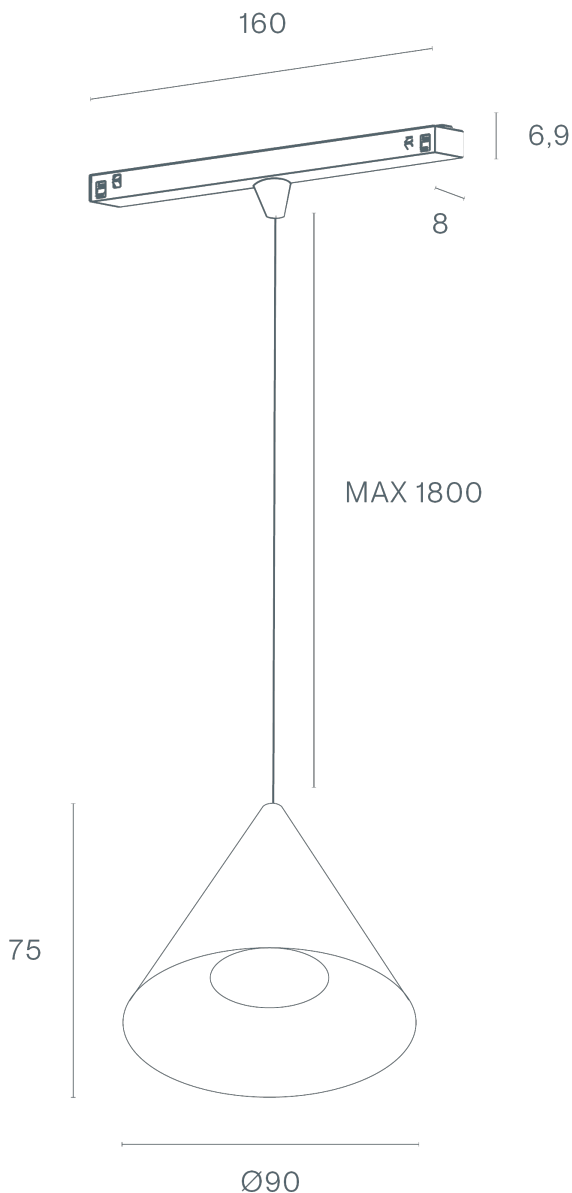
LED FEATURES

LUMINOUS EFFICIENCY	UP TO 153 lm/W
CRI	CRI→90
LIFESPAN	50.000 Hours
STEPS MACADAM	3 Steps MacAdam
LUMEN MAINTENANCE	L90/B50
PHOTOBIOLOGICAL RISK	RG1

ICONOGRAPHY



TECHNICAL DRAWING





NAM 48V MICRO
PRODUCT TABLE AND TECHNICAL SPECIFICATIONS - CRI→90

LENGTH	POWER	FINISHING	CONTROL TYPE	BEAM ANGLE	LED LUMENS	LUMINAIRE LM	COLOR TEMP.	CODE
75	6	TB, TW	DL	36	821	698	2700K	553XX.36.927.FI
75	6	TB, TW	DL	36	857	728	3000K	553XX.36.930.FI
75	6	TB, TW	DL	36	910	774	4000K	553XX.36.940.FI

SELECT YOUR PREFERRED
OPTION

CONTROL TYPE	XX	FINISHING	FI	BEAM ANGLE	BA
DALI	DL	Textured Black Textured White	TB TW	36°	36

ACCESSORIES



	Textured White	Textured Black	
Lazuli Power Cable Power Cable 1,5M	30800241.TW	30800241.TB	30800241.BL, 30800241.WH
Power Cable 1M	30800240.TW	30800240.TB	30800240.BL, 30800240.WH
Power Cable 2M	30800242.TW	30800242.TB	