

DESCRIPTION

NP07 Anodised aluminium profile - 2000mm x 33,7mm x 26,00mm - for LED Strip up to 24mm

Brilumen's aluminium profiles are designed and produced from top quality raw materials on modern, fully automated, precision equipment to meet the strictest European quality criteria. These profiles combine the sophisticated functionality with timeless aesthetics and imbue every illuminated area with homogeneous light.

The individual system components are quickly and easily assembled with little effort using the click system and mounted in a right manner. The particular properties of these fracture-resistant profiles protect LED strips from mechanical impacts, dissipate heat, and integrate perfectly into any architectural feature. The nonflammable polycarbonate profile covers reduce light to control the unified glare rating (UGR).

Due to high product availability, these profiles can be supplied quickly, and distinguish themselves through their perfect light lines for homogeneous light quality, the guaranteed product quality at the best price-performance ratio and the intelligent product design and unique product compatibility, that allow an unlimited variety of designs.

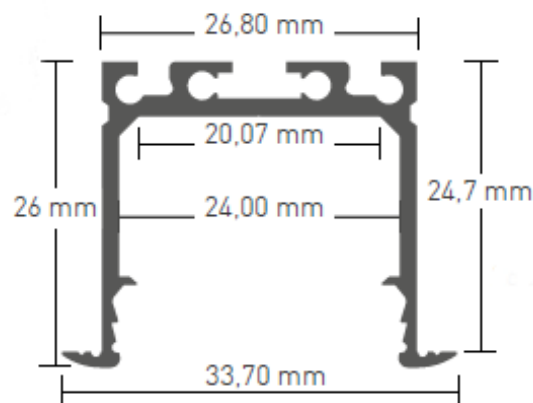
These aluminium profiles can have customized size and are compatible with Brilumen's LED Strips.

Accessories not included:

- C10: Frosted diffuser 2000mm | code G860-0017
- C11: Frosted diffuser 2000mm | code G860-0018
- C12: Frosted diffuser 2000mm | code G860-0019
- E47: Aluminium end cap | code G830-1011
- E48: Aluminium end cap | code G830-2011
- E49: Aluminium end cap | code G830-3011
- LP10: construction profile | code G810-7012



TECHNICAL DRAWING








ICONOGRAPHY



NP07 RECESSED PROFILE

PRODUCT TABLE AND TECHNICAL SPECIFICATIONS - NP07 Anodised aluminium profile - 2000mm x 33,7mm x 26,00mm - for LED Strip up to 24mm

ACCESSORIES

	E47 - Aluminium End Cap E47 - Aluminium End Cap	- G830-1011
	E48 - Aluminium End Cap E48 - Aluminium End Cap	- G830-2011
	E49 - Aluminium End Cap E49 - Aluminium End Cap	- G830-3011
	C12 - Diffuser C12 - Diffuser	2 Meters G860-0019
	C10 - Diffuser C10 - Diffuser	2 Meters G860-0017



C11 - Diffuser
C11 - Diffuser

2 Meters
G860-0018