

DESCRIPTION

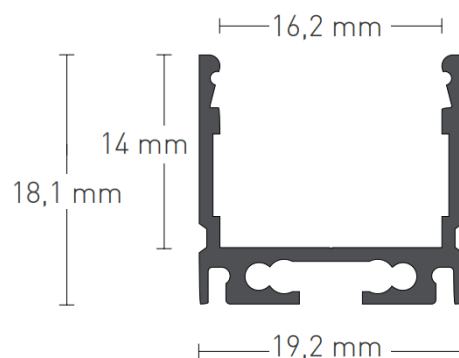
NP08 aluminium profile - 2000mm x 19,2mm x 18,10mm - for LED Strip up to 16mm

Brilumen's aluminium profiles are designed and produced from top quality raw materials on modern, fully automated, precision equipment to meet the strictest European quality criteria. These profiles combine the sophisticated functionality with timeless aesthetics and imbue every illuminated area with homogeneous light.

The individual system components are quickly and easily assembled with little effort using the click system and mounted in a right manner. The particular properties of these fracture-resistant profiles protect LED strips from mechanical impacts, dissipate heat, and integrate perfectly into any architectural feature. The nonflammable polycarbonate profile covers reduce light to control the unified glare rating (UGR).

Due to high product availability, these profiles can be supplied quickly, and distinguish themselves through their perfect light lines for homogeneous light quality, the guaranteed product quality at the best price-performance ratio and the intelligent product design and unique product compatibility, that allow an unlimited variety of designs.

These aluminium profiles can have customized sizes and are compatible with Brilumen's LED Strips.


TECHNICAL DRAWING

ICONOGRAPHY

NP08 ALUMINIUM PROFILE

PRODUCT TABLE AND TECHNICAL SPECIFICATIONS - NP08 aluminium profile - 2000mm x 19,2mm x 18,10mm - for LED Strip up to 16mm

LENGTH	CONTROLTYPE	FINISHING	CODE
2000	N/A	AL	G810-1020
2000	N/A	BL	G810-1022
2000	N/A	WH	G810-1021