

DESCRIPTION

NP19 Corner anodised aluminium profile - 2000mm x 40,10mm - for LED Strip up to 20mm

Brilumen's aluminium profiles are designed and produced from top quality raw materials on modern, fully automated, precision equipment to meet the strictest European quality criteria. These profiles combine the sophisticated functionality with timeless aesthetics and imbue every illuminated area with homogeneous light.

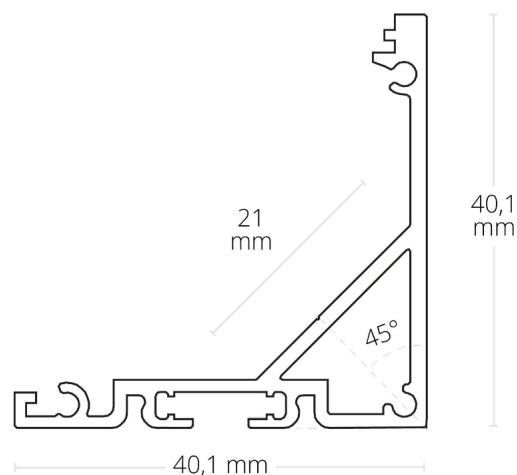
The individual system components are quickly and easily assembled with little effort using the click system and mounted in a right manner. The particular properties of these fracture-resistant profiles protect LED strips from mechanical impacts, dissipate heat, and integrate perfectly into any architectural feature. The nonflammable polycarbonate profile covers reduce light to control the unified glare rating (UGR).

Due to high product availability, these profiles can be supplied quickly, and distinguish themselves through their perfect light lines for homogeneous light quality, the guaranteed product quality at the best price-performance ratio and the intelligent product design and unique product compatibility, that allow an unlimited variety of designs.

These aluminium profiles can have customized sizes and are compatible with Brilumen's LED Strips.



TECHNICAL DRAWING



Accessories not included:

- C16: Frosted diffuser 2000mm | code G860-0023
- C17: Frosted diffuser 2000mm | code G860-0024
- E52: Aluminium end cap (C16) | code G810-6075
- E55: Aluminium end cap (C17) | code G810-6077

POWER SUPPLY /

ICONOGRAPHY





NP19 CORNER PROFILE


PRODUCT TABLE AND TECHNICAL SPECIFICATIONS - NP19 Corner anodised aluminium profile - 2000mm x 40,10mm - for LED Strip up to 20mm


LENGTH	CONTROLTYPE	FINISHING	CODE
2000	N/A	AL	G810-5046


ACCESSORIES

 E52 - Aluminium End Cap - G810-6075
E52 - Aluminium End Cap

 E55 - Aluminium End Cap - G810-6077
E55 - Aluminium End Cap

 LP10 aluminium profile - SEM TITULO - G810-7012
LP10 aluminium profile

 C16 - Diffuser - 2 Meters - G860-0023
C16 - Diffuser

 C17 - Diffuser - 2 Meters - G860-0024
C17 - Diffuser

