

DESCRIPTION

OP23 Corner anodised aluminium profile - 2000mm x 25,66mm x 17,51mm - for LED Strip up to 11mm

Brilumen's aluminium profiles are designed and produced from top quality raw materials on modern, fully automated, precision equipment to meet the strictest European quality criteria. These profiles combine the sophisticated functionality with timeless aesthetics and imbue every illuminated area with homogeneous light.

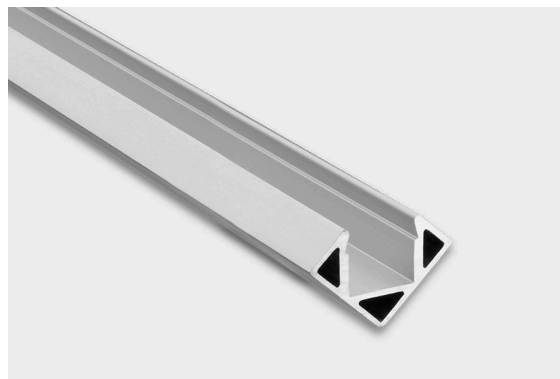
The individual system components are quickly and easily assembled with little effort using the click system and mounted in a right manner. The particular properties of these fracture-resistant profiles protect LED strips from mechanical impacts, dissipate heat, and integrate perfectly into any architectural feature. The nonflammable polycarbonate profile covers reduce light to control the unified glare rating (UGR).

Due to high product availability, these profiles can be supplied quickly, and distinguish themselves through their perfect light lines for homogeneous light quality, the guaranteed product quality at the best price-performance ratio and the intelligent product design and unique product compatibility, that allow an unlimited variety of designs.

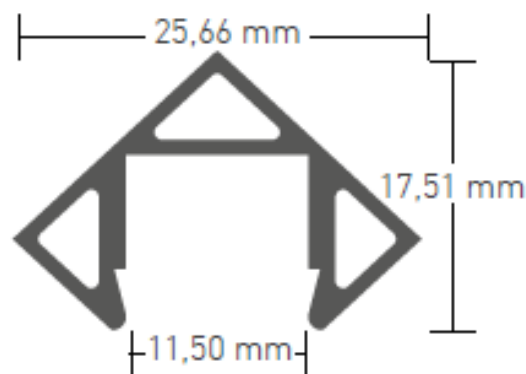
These aluminium profiles can have customized sizes and are compatible with Brilumen's LED Strips.

Accessories not included:

- C8: Frosted diffuser 2000mm | code G860-0013
- E41: PVC end cap without hole | code G810-3050
- E42: PVC end cap with hole | code G810-3052



TECHNICAL DRAWING







ICONOGRAPHY



OP23 CORNER PROFILE

PRODUCT TABLE AND TECHNICAL SPECIFICATIONS - OP23 Corner anodised aluminium profile - 2000mm x 25,66mm x 17,51mm - for LED Strip up to 11mm

ACCESSORIES

	E41 - PVC End Cap E41 - PVC End Cap	-	G810-3050
	E42 - PVC End Cap E42 - PVC End Cap	-	G810-3052
	Z02 - Mounting Clip Z02 - Mounting Clip	-	G810-4050
	C8 - Diffuser C8 - Diffuser	2 Meters	G860-0013