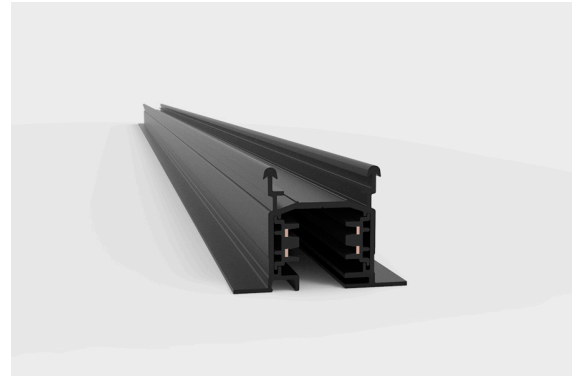
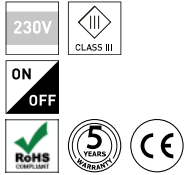
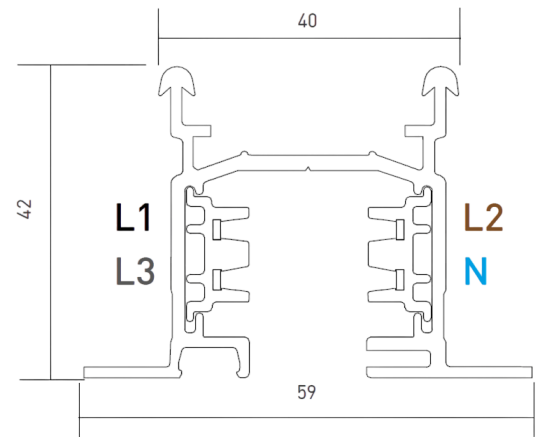


DESCRIPTION

This kind of 3-circuit universal electrified track is available in surfaced-mounted, suspended and recessed versions in the ceiling. Suitable for ON/OFF control it's also possible to choose between white or black besides various connection accessories.

MOUNTING	Recessed
POWER SUPPLY	230V / TRACK
WARRANTY	5 Years
FINISHING	Black, White
CONTROL	ON/OFF


ICONOGRAPHY

TECHNICAL DRAWING

RECESS. 230V TRACK ON/OFF
PRODUCT TABLE AND TECHNICAL SPECIFICATIONS - Recessed mounted Universal Track ON/OFF 230V

LENGTH	CONTROLTYPE	FINISHING	CODE
1000	NF	BL, WH	3080-0336.FI
2000	NF	BL, WH	3080-0337.FI

SELECT YOUR PREFERRED OPTION

CONTROLTYPE	XX
ON/OFF	NF

FINISHING	FI
Black	BL
White	WH

ACCESSORIES

	PVC Blind Cover PVC Blind Cover	White 3080-0316.WH	Black 3080-0316.BL
	End Cap End Cap	White 3080-0338.WH	Black 3080-0338.BL
	Straight Coupler Straight Coupler	White 3080-0341.WH	Black 3080-0341.BL
	Straight Coupler w/ feed Straight Coupler w/ feed	White 3080-0342.WH	Black 3080-0342.BL

	<p>X Coupler X Coupler</p>	<p>White 3080-0349.WH</p>	<p>Black 3080-0349.BL</p>
	<p>Seamless Middle Feed Seamless Middle Feed</p>	<p>White 3080-0350.WH</p>	<p>Black 3080-0350.BL</p>
	<p>End Feed 230V A - Earth Right B - Earth Left</p>	<p>White 3080-0339.WH 3080-0340.WH</p>	<p>Black 3080-0339.BL 3080-0340.BL</p>
	<p>L Coupler A - Earth Outside B - Earth Inside</p>	<p>White 3080-0343.WH 3080-0344.WH</p>	<p>Black 3080-0343.BL 3080-0344.BL</p>
	<p>T Coupler Inside A - Earth Inside Right B - Earth Inside Left</p>	<p>White 3080-0345.WH 3080-0346.WH</p>	<p>Black 3080-0345.BL 3080-0346.BL</p>
	<p>T Coupler Outside C - Earth Outside Right D - Earth Outside Left</p>	<p>White 3080-0347.WH 3080-0348.WH</p>	<p>Black 3080-0347.BL 3080-0348.BL</p>
	<p>Snap Hanger Kit 6pcs Snap Hanger Kit 6pcs</p>	<p>- 3080-0352</p>	