

DESCRIPTION

RGBW controller + RF remote control (A) 4 channels

RF remote (RGBW):

Operating Voltage: 3V DC (battery CR2032)

Frequency: 433.92MHz

Remote Distance : 30m

Working Temperature: -30°C~55°C

Weight: 42g



Controller (RGBW):

Input Voltage: 5~24V DC

Current: 5A×4CH - Max 20A

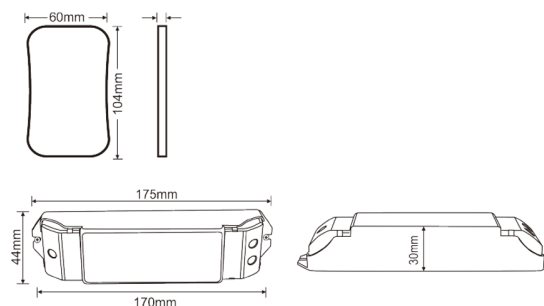
Power: 100W/240W/480W(5V/12V/24V)

Working Temperature: -30°C~55°C

Weight: 125g

Code: 8012-0100

TECHNICAL DRAWING



ICONOGRAPHY

