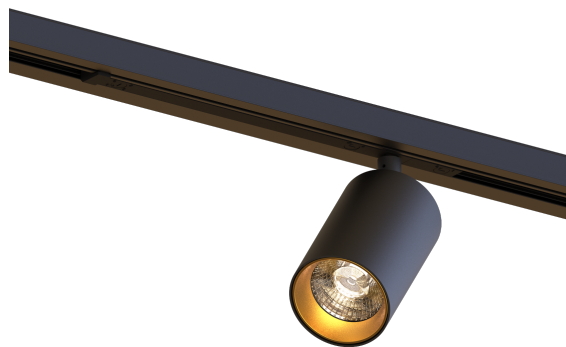


DESCRIPTION

This track light was designed to provide high luminous performance into a small product. With only 55mm diameter, it integrates a heatsink of high thermal conductivity. This track light is ideal for projects where high levels of quality light are necessary, highlighting products or special spaces. The ROSS has been specially designed to be used with an adapter in low voltage Universal rails but it is also available with inTrack driver version for universal 3 circuit rail of 230V. Recently, two new solutions for the use of this lighting fixture has been added: Surface and recessed.

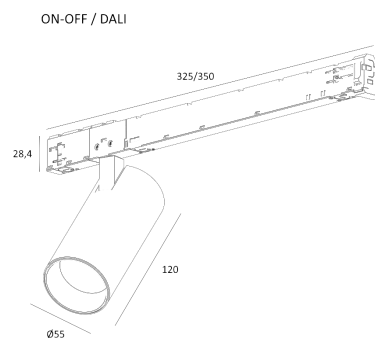
MOUNTING TYPE	Uni Track
LIGHT DISTRIBUTION	Direct
POWER SUPPLY	220-230V / 50-60 Hz
WARRANTY	5 Years
FINISHING	Textured Black, Textured White
CONTROL	DALI, ON/OFF



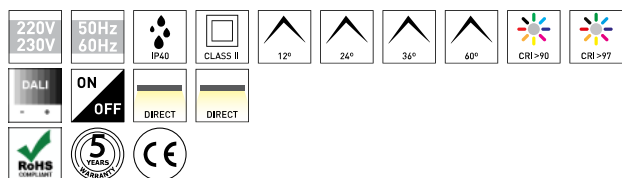
LED FEATURES

LUMINOUS EFFICIENCY	UP TO 95 lm/W
CRI	CRI->90, CRI->97
LIFESPAN	50.000 Hours
STEPS MACADAM	3 Steps MacAdam
LUMEN MAINTENANCE	L90/B50
PHOTOBIOLOGICAL RISK	RG1

TECHNICAL DRAWING



ICONOGRAPHY



**ROSS INVITRACK 230V
PRODUCT TABLE AND TECHNICAL SPECIFICATIONS - CRI->90**

LENGTH	POWER	FINISHING	CONTROL TYPE	BEAM ANGLE	LED LUMENS	LUMINAIRE LM	COLOR TEMP.	CODE
120	16.6	TB, TW	DL, NF	12, 24, 36, 60	2052	1744	2700K	5420XX.12.927.FI
120	16.6	TB, TW	DL, NF	12, 24, 36, 60	2052	1744	2700K	5420XX.24.927.FI
120	16.6	TB, TW	DL, NF	12, 24, 36, 60	2052	1744	2700K	5420XX.36.927.FI
120	16.6	TB, TW	DL, NF	12, 24, 36, 60	2052	1744	2700K	5420XX.60.927.FI
120	16.6	TB, TW	DL, NF	12, 24, 36, 60	2185	1857	3000K	5420XX.12.930.FI
120	16.6	TB, TW	DL, NF	12, 24, 36, 60	2185	1857	3000K	5420XX.24.930.FI
120	16.6	TB, TW	DL, NF	12, 24, 36, 60	2185	1857	3000K	5420XX.36.930.FI
120	16.6	TB, TW	DL, NF	12, 24, 36, 60	2185	1857	3000K	5420XX.60.930.FI
120	16.6	TB, TW	DL, NF	12, 24, 36, 60	2300	1955	4000K	5420XX.12.940.FI
120	16.6	TB, TW	DL, NF	12, 24, 36, 60	2300	1955	4000K	5420XX.24.940.FI
120	16.6	TB, TW	DL, NF	12, 24, 36, 60	2300	1955	4000K	5420XX.36.940.FI
120	16.6	TB, TW	DL, NF	12, 24, 36, 60	2300	1955	4000K	5420XX.60.940.FI

SELECT YOUR PREFERRED OPTION

CONTROL TYPE	XX	FINISHING	FI	BEAM ANGLE	BA
DALI	DL	Textured Black	TB	12°	12
ON/OFF	NF	Textured White	TW	24°	24
				36°	36
				60°	60


ROSS INVITRACK 230V
PRODUCT TABLE AND TECHNICAL SPECIFICATIONS - CRI->97

LENGTH	POWER	FINISHING	CONTROL TYPE	BEAM ANGLE	LED LUMENS	LUMINAIRE LM	COLOR TEMP.	CODE
120	19.1	TB, TW	DL, NF	12, 24, 36, 60	1700	1445	2700K	5424XX.12.9727.FI
120	19.1	TB, TW	DL, NF	12, 24, 36, 60	1700	1445	2700K	5424XX.24.9727.FI
120	19.1	TB, TW	DL, NF	12, 24, 36, 60	1700	1445	2700K	5424XX.36.9727.FI
120	19.1	TB, TW	DL, NF	12, 24, 36, 60	1700	1445	2700K	5424XX.60.9727.FI
120	19.1	TB, TW	DL, NF	12, 24, 36, 60	1815	1542	3000K	5424XX.12.9730.FI
120	19.1	TB, TW	DL, NF	12, 24, 36, 60	1815	1542	3000K	5424XX.24.9730.FI
120	19.1	TB, TW	DL, NF	12, 24, 36, 60	1815	1542	3000K	5424XX.36.9730.FI
120	19.1	TB, TW	DL, NF	12, 24, 36, 60	1815	1542	3000K	5424XX.60.9730.FI
120	19.1	TB, TW	DL, NF	12, 24, 36, 60	1910	1624	4000K	5424XX.12.9740.FI
120	19.1	TB, TW	DL, NF	12, 24, 36, 60	1910	1624	4000K	5424XX.24.9740.FI
120	19.1	TB, TW	DL, NF	12, 24, 36, 60	1910	1624	4000K	5424XX.36.9740.FI
120	19.1	TB, TW	DL, NF	12, 24, 36, 60	1910	1624	4000K	5424XX.60.9740.FI

SELECT YOUR PREFERRED OPTION

CONTROL TYPE	XX	FINISHING	FI	BEAM ANGLE	BA
DALI	DL	Textured Black	TB	12°	12
ON/OFF	NF	Textured White	TW	24°	24
				36°	36
				60°	60

ACCESSORIES

	Track ON/OFF Susp./Surf. ON/OFF Track 1m White ON/OFF Track 2m White SEM DescAbr - UP1459429 SEM DescAbr - UP1459429-1	UP1459102-1 UP1459102 UP1459429 UP1459429-1
	Track DALI Susp./Surf. DALI Track 1m White DALI Track 2m White SEM DescAbr - UP1459439 SEM DescAbr - UP1459439-1	UP1459107-1 UP1459107 UP1459439 UP1459439-1
	Recess. Track ON/OFF ON/OFF Rec. Track 1m BL ON/OFF Rec. Track 1m WH ON/OFF Rec. Track 2m BL ON/OFF Rec. Track 2m WH	UP1459312-1 UP1459112-1 UP1459312 UP1459112
	Recessed Track DALI DALI Rec. Track 1m BL DALI Rec. Track 1m WH DALI Rec. Track 2m BL DALI Rec. Track 2m WH	UP1459317-1 UP1459117-1 UP1459317 UP1459117