

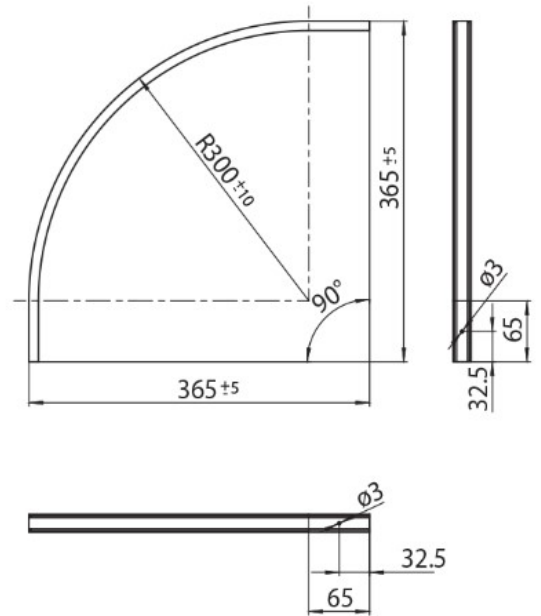
DESCRIPTION

Vertical curve radius 0,3m for MT1 48V MICRO track

ICONOGRAPHY



TECHNICAL DRAWING



ACCESSORIES



Vertical curve 0,3m MT1  
 Vertical curve 0,3m

White                      Black  
 3080-0604.WH      3080-0604.BL